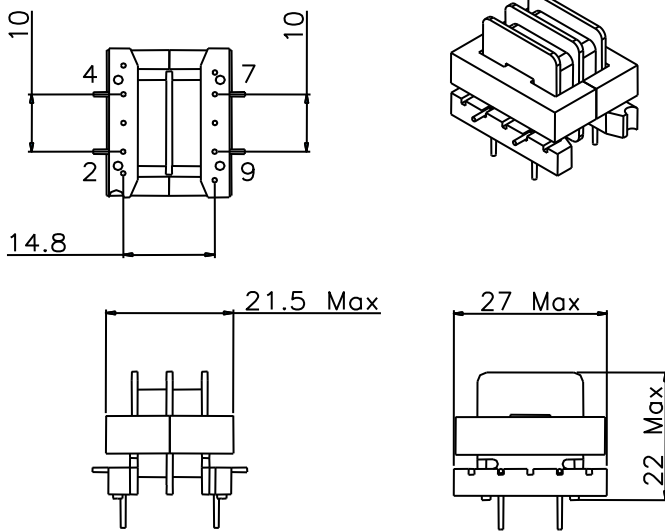


Type C. M. CHOKES	Size E25	Current 0.90 to 4.0 A	MYRRA P/N 74320 to 74325
-----------------------------	--------------------	---------------------------------	------------------------------------

Product designation

COMMON MODE CHOKE - E25

MECHANICAL CHARACTERISTICS - PINOUT



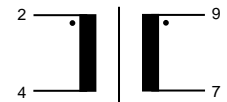
Terminals	
Pins	Ø 0.80 +/- 0.10 mm
PCB recommended drilling diameter	1.2 mm
Pins length	5.0 +/- 0.5 mm
Missing pin	---

Tolerances	
General tolerance	+/- 0.5 mm
Pins pitch tolerance	+/- 0.3 mm
Pins row tolerance	+/- 0.3 mm

ELECTRICAL CHARACTERISTICS - ENVIRONMENTAL

Typical use at ambient 70 °C

MYRRA P/N	Common mode inductance (+/- 25 %)	Rated current	Resistance (per winding) (DC - 25 °C)	Differential mode inductance (min.)	Resonance frequency (min)
74320	31.0 mH	0.9 A _{rms}	0.54 Ω max.	130 μH	170 kHz
74321	21.5 mH	1.1 A _{rms}	0.35 Ω max.	90 μH	210 kHz
74322	14.0 mH	1.3 A _{rms}	0.22 Ω max.	50 μH	270 kHz
74323	6.7 mH	1.8 A _{rms}	0.105 Ω max.	25 μH	400 kHz
74324	3.5 mH	2.7 A _{rms}	0.050 Ω max.	11 μH	630 kHz
74325	1.4 mH	4.0 A _{rms}	0.030 Ω max.	7 μH	950 kHz



Operating temperature - 40 / + 120 °C (including temperature rising)
Storage temperature - 40 / + 85 °C

SAFETY - APPROVALS

RoHS and REACH compliant
UL94 V-0 materials
Class B min. materials
L1 / L2 :
1.5 kV dielectric test

