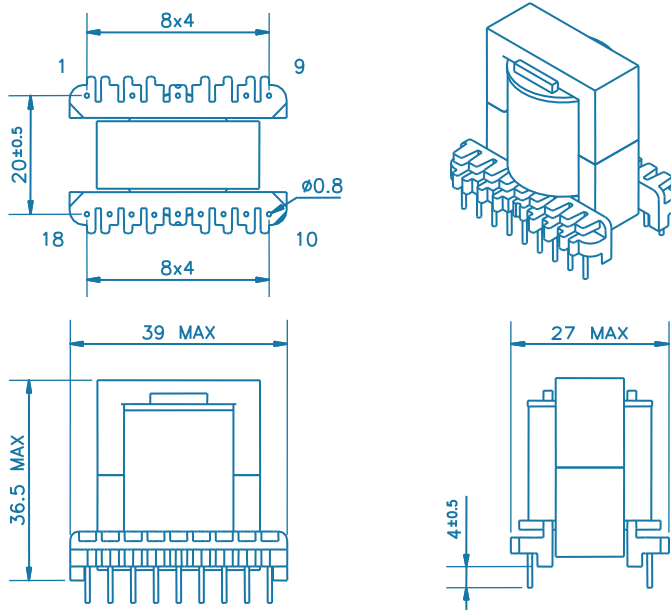


Type FLYBACK	Size ERL28	Output 3.3 + 5 + 12 + 18 + 30 V	MYRRA P/N 74043
------------------------	----------------------	---	---------------------------

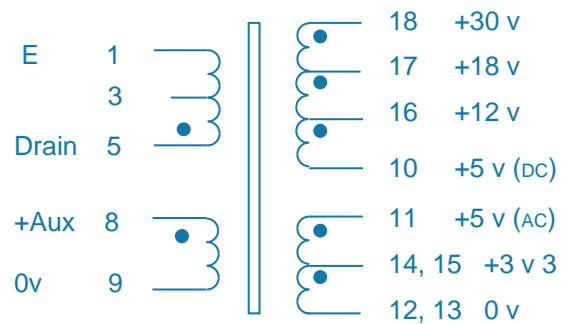
Product designation

FLYBACK TRANSFORMER - ERL28 - 3.3 + 5 + 12 + 18 + 30 V - 60 W

MECHANICAL CHARACTERISTICS - PINOUT



Pins 2,4, 6 and 7 removed
Recommended PCB drilling diameter : 1.3 mm



ELECTRICAL CHARACTERISTICS

MYRRA P/N	Maximum output power	Windings					
			Pins	Turns	Voltage	Maximum current	Inductance (+/- 10%)
74043	60 w	P	5 - 1	45	85 - 265 V _{rms}	3.0 A _{pk}	0.50 mH
		Aux.	8 - 9	7	15.0 V _{DC}	0.5 A _{DC}	
		S1	14 + 15 - 12 + 13	2	3.3 V _{DC}	S1 + S2 : 7.0 A _{DC}	
		S2	11 - 12 + 13	3	5.0 V _{DC}		
		S3	16 - 10	4	12.0 V _{DC}	2.0 A _{DC}	
		S4	17 - 10	7	18.0 V _{DC}	2.0 A _{DC}	
S5	18 - 10	13	30.0 V _{DC}	0.5 A _{DC}			

REMARKS

RoHS compliant

UL94 V-0 materials

Class B

Ambient temperature: 50 °C max.

P / S :

Creepage distances ≥ 6.0 mm

4.0 kV dielectric test

Construction conforms to IEC60950, IEC60335 and IEC61558-2-16 for reinforced isolation