

Type <b>TOROIDAL CHOKES</b>	Sizes	Power <b>150 to 4500 W</b>	MYRRA P/N <b>74190 to 74197</b>
--------------------------------	-------	-------------------------------	------------------------------------

Product designation

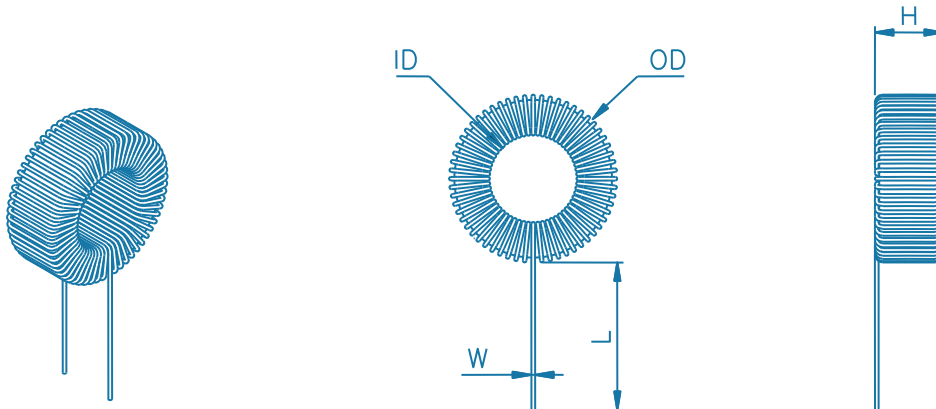
## DIMMER CHOKES FOR EMI SUPPRESSION

### FEATURES

For noise suppression in light dimmers

Saturable chokes: provide a high impedance for Triac switching interferences, and a low impedance for 50 Hz component.

### MECHANICAL CHARACTERISTICS - PINOUT



### ELECTRICAL CHARACTERISTICS

At 25 °C

MYRRA P/N	Rated power	Inductance (+/- 15 %)	Rated current	Resistance	Associated capacitance	Dimensions (mm)					Weight
						OD max	ID min	H max	W max	L (+/- 10)	
74190	150 W	3.5 mH	0.7 A <sub>rms</sub>	1.5 Ω	22 nF	24	8.5	9.5	0.5	25	13 g
74191	300 W	2.8 mH	1.3 A <sub>rms</sub>	0.73 Ω	47 nF	29	9	12	0.7	25	24 g
74192	500 W	2.0 mH	2.2 A <sub>rms</sub>	0.35 Ω	82 nF	32.5	7	16	0.9	25	47 g
74196	500 W	1.8 mH	2.2 A <sub>rms</sub>	0.37 Ω	82 nF	38	14	12	0.9	25	39 g
74197	500 W	0.95 mH	2.2 A <sub>rms</sub>	0.35 Ω	100 nF	25	6	11	0.8	25	15 g
74193	1000 W	1.3 mH	4.5 A <sub>rms</sub>	0.15 Ω	220 nF	44	14	16.5	1.2	25	80 g
74194	2200 W	450 μH	10 A <sub>rms</sub>	0.04 Ω	470 nF	50	12	22.5	1.8	25	140 g
74195	4500 W	250 μH	20 A <sub>rms</sub>	0.014 Ω	1.0 μF	58	10	28	2.5	25	250 g

### REMARKS

RoHS compliant

UL94 V-0 materials

Class B

Ambient temperature: 50 °C max.