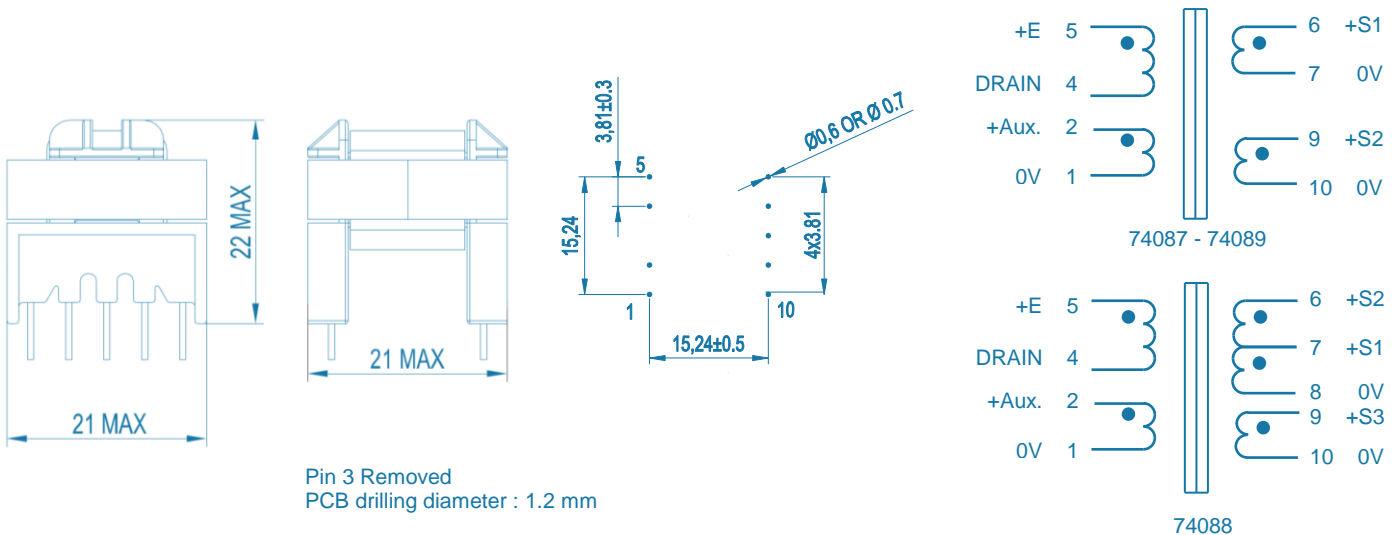


Type <b>FLYBACK</b>	Size <b>EF20</b>	Output <b>5 + 5 V or 12 + 12 V or 3.3 + 5 + 12 V</b>	MYRRA P/N <b>74087 - 74088 - 74089</b>
------------------------	---------------------	---	---

Product designation

## FLYBACK TRANSFORMER - EF20

### MECHANICAL CHARACTERISTICS - PINOUT



### ELECTRICAL CHARACTERISTICS

MYRRA P/N	Maximum output power	Windings					
			Pins	Turns	Voltage	Maximum current	Inductance (+/- 10 %)
74087	24.0 W	P	4 - 5	86	85 ~ 265 V <sub>rms</sub>	1.0 A <sub>pk</sub>	1.0 mH
		Aux.	2 - 1	12	11.0 - 18.0 V <sub>DC</sub>	0.3 A <sub>DC</sub>	
		S1	6 - 7	10	9.0 - 15.0 V <sub>DC</sub>	1.50 A <sub>DC</sub>	
		S2	9 - 10	10	9.0 - 15.0 V <sub>DC</sub>	1.50 A <sub>DC</sub>	
74088	20.0 W	P	4 - 5	80	85 ~ 265 V <sub>rms</sub>	0.90 A <sub>pk</sub>	1.1 mH
		Aux.	2 - 1	17	15.0 V <sub>DC</sub>	0.30 A <sub>DC</sub>	
		S1	7 - 8	4	3.3 V <sub>DC</sub>	S1 + S2 : 7.0 A <sub>DC</sub>	
		S2	6 - 8	6	5.0 V <sub>DC</sub>		
74089	20.0 W	P	4 - 5	86	85 ~ 265 V <sub>rms</sub>	0.85 A <sub>pk</sub>	1.3 mH
		Aux.	2 - 1	12	7.0 - 18.0 V <sub>DC</sub>	0.30 A <sub>DC</sub>	
		S1	6 - 7	5	3.0 - 7.5 V <sub>DC</sub>	2.00 A <sub>DC</sub>	
		S2	9 - 10	5	3.0 - 7.5 V <sub>DC</sub>	2.00 A <sub>DC</sub>	

### REMARKS

RoHS compliant

UL94 V-0 materials

Class B

Ambient temperature: 50 °C max.

P / S :

Creepage distances ≥ 8.0 mm

4.0 kV dielectric test

Construction conforms to IEC60950, IEC60335 and IEC61558-2-16 for reinforced isolation