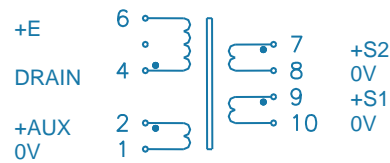
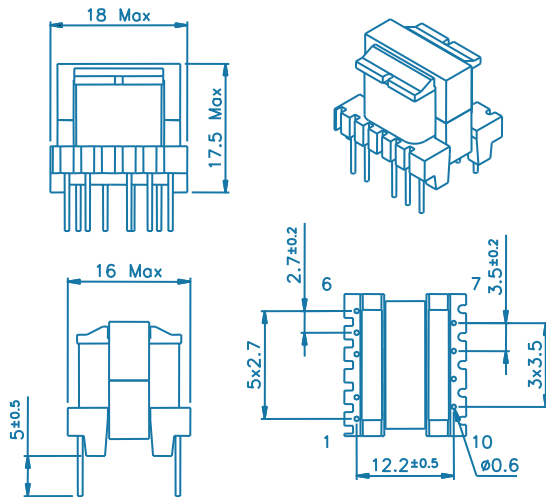


Type <b>FLYBACK</b>	Size <b>E16</b>	Output <b>2 x 24 V</b>	MYRRA P/N <b>74014</b>
------------------------	--------------------	---------------------------	---------------------------

Product designation

## FLYBACK TRANSFORMER - E16 - 2 x 24 V - 12 W

### MECHANICAL CHARACTERISTICS - PINOUT



Pin 3 removed  
PCB recommended drilling diameter : 1.1 mm

### ELECTRICAL CHARACTERISTICS

MYRRA P/N	Maximum output power	Windings					
			Pins	Turns	Voltage	Maximum current	Inductance (+/- 10 %)
74014	12.0 W	P	4 - 6	120	85 ~ 265 V <sub>rms</sub>	0.5 A <sub>pk</sub>	1.80 mH
		Aux.	2 - 1	17	9.0 ~ 18.0 V <sub>DC</sub>	0.2 A <sub>DC</sub>	
		S1	9 - 10	27	15.0 ~ 30.0 V <sub>DC</sub>	0.4 A <sub>DC</sub>	
		S2	7 - 8	27	15.0 ~ 30.0 V <sub>DC</sub>	0.4 A <sub>DC</sub>	
	Typical uses	Outputs		Connections of the windings			
		24.0 V - 0.5 A 48 V - 0.25 A +15 / -15 V - 0.4 A		S1 and S2 in parallel S1 and S2 in series (pins 8 and 9 linked) Pins 8 and 9 both connected to 0 V			

### REMARKS

RoHS compliant

UL94 V-0 materials

Class B

Ambient temperature: 50 °C max.

P / S :

Creepage distances ≥ 6.0 mm

4.0 kV dielectric test

Construction conforms to IEC60950, IEC60335 and IEC61558-2-16 for reinforced isolation