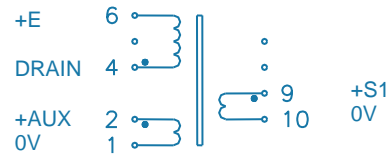
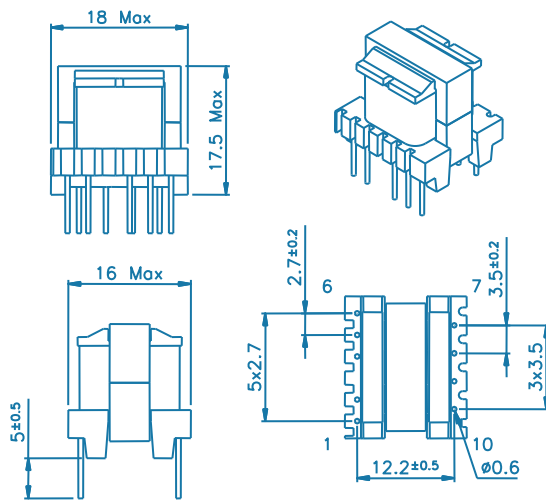


Type <b>FLYBACK</b>	Size <b>E16</b>	Output <b>5 or 12 V</b>	MYRRA P/N <b>74001 - 74002</b>
------------------------	--------------------	----------------------------	-----------------------------------

Product designation

## FLYBACK TRANSFORMER

### MECHANICAL CHARACTERISTICS - PINOUT



Pin 3 removed  
Recommended PCB drilling diameter : 1.1 mm

### ELECTRICAL CHARACTERISTICS

MYRRA P/N	Maximum output power	Windings					
			Pins	Turns	Voltage	Maximum current	Inductance (+/- 10 %)
74001	6.0 W	P	4 - 6	138	85 ~ 265 V <sub>rms</sub>	0.35 A <sub>pk</sub>	3.0 mH
		Aux.	2 - 1	20	8.0 ~ 16.0 V <sub>DC</sub>	0.1 A <sub>DC</sub>	
		S1	9 - 10	8	3.0 ~ 6.0 V <sub>DC</sub>	1.2 A <sub>DC</sub>	
74002	6.0 W	P	4 - 6	150	85 ~ 265 V <sub>rms</sub>	0.38 A <sub>pk</sub>	3.0 mH
		Aux.	2 - 1	22	8.5 ~ 17.0 V <sub>DC</sub>	0.1 A <sub>DC</sub>	
		S1	9 - 10	24	9.0 ~ 18.0 V <sub>DC</sub>	0.5 A <sub>DC</sub>	

### REMARKS

RoHS compliant

UL94 V-0 materials

Class B

Ambient temperature: 60°C max.

P / S1 :

Creepage distances ≥ 6.0 mm

4.0 kV dielectric test

Construction conforms to IEC60950, IEC60335 and IEC61558-2-16 for reinforced isolation