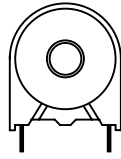




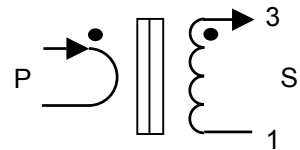
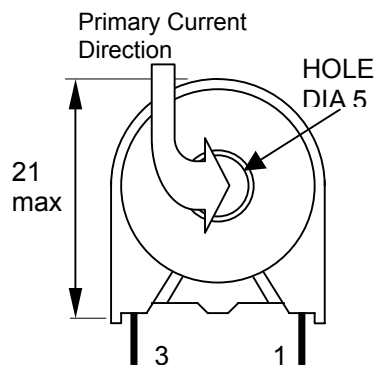
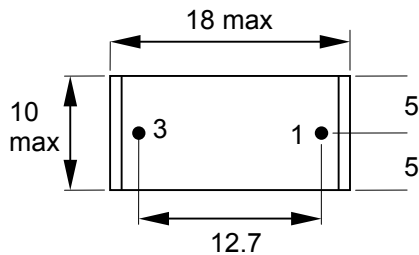
# CURRENT TRANSFORMERS TOROIDAL / THRU-HOLE



MYRRA Part N°	Sec. Turns	Max Pri. Current A rms	Rsec. $\Omega$ max	Lsec. mH min	Pulse Vsec x t max @ Frequency	Sine Vsec max @ Frequency	Typical Load/ Accuracy/ Current
74500	50	15 A	0.6 $\Omega$	5	175 V. $\mu$ S 20 – 200 kHz	15 V 20 – 200 kHz	50 $\Omega$ / 1% / 15 A
74501	100	25 A	1.5 $\Omega$	20	350 V. $\mu$ S 20 – 100 kHz	25 V 20 – 100 kHz	100 $\Omega$ / 1% / 25 A
74502	200	25 A	5 $\Omega$	80	700 V. $\mu$ S 20 – 100 kHz	50 V 20 – 100 kHz	200 $\Omega$ / 1% / 25 A
74503	1000	12 A	45 $\Omega$	2000	2.5 V.ms 50 Hz	0.15V/ 50 Hz/ 12A 0.6V/ 50 Hz/ 8A	$\leq$ 10 $\Omega$ / 2% / 12 A $\leq$ 40 $\Omega$ / 2% / 8 A
74504	750	10 A	35 $\Omega$	1100	2.0 V.ms 50 Hz	0.13V/ 50 Hz/ 10A 0.3V/ 50 Hz/ 5A	$\leq$ 10 $\Omega$ / 2% / 10 A $\leq$ 40 $\Omega$ / 2% / 5 A

Data applies for one primary turn (single passage of primary wire through toroid hole).  
Sensitivity can be increased for lower currents by winding more than one turn.

## 74500 / 74501 / 74502



## 74503 / 74504

