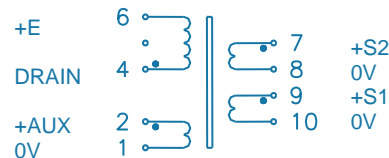
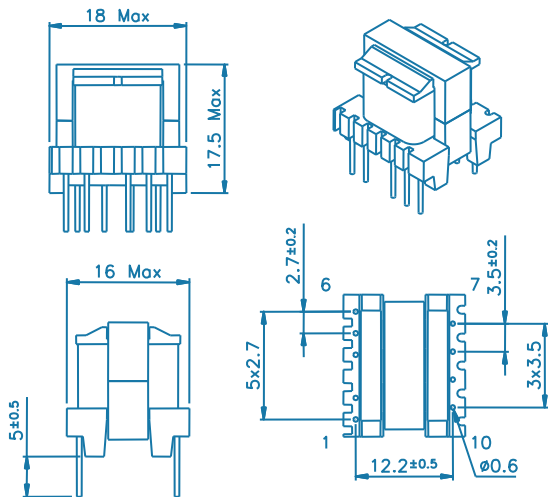


Type FLYBACK	Size E16	Output 5 and 12 V	MYRRA P/N 74000
------------------------	--------------------	-----------------------------	---------------------------

Product designation

FLYBACK TRANSFORMER

MECHANICAL CHARACTERISTICS - PINOUT



Pin 3 removed
Recommended PCB drilling diameter : 1.1 mm

ELECTRICAL CHARACTERISTICS

MYRRA P/N	Maximum output power	Windings					
			Pins	Turns	Voltage	Maximum current	Inductance (+/- 10 %)
74000	5.0 W	P	4 - 6	138	85 ~ 265 V _{rms}	0.27 A _{pk}	3.9 mH
		Aux.	2 - 1	16	7.0 ~ 14.0 V _{DC}	0.1 A _{DC}	
		S1	9 - 10	8	3.3 ~ 7.0 V _{DC}	1.2 A _{DC}	
		S2	7 - 8	19	8.0 ~ 17.0 V _{DC}	0.4 A _{DC}	

REMARKS

RoHS compliant

UL94 V-0 materials

Class B

Ambient temperature: 70°C max.

P / S1 + S2 :

Creepage distances ≥ 6.0 mm

4.0 kV dielectric test

Construction conforms to IEC60950, IEC60335 and IEC61558-2-16 for reinforced isolation

S1 / S2 :

1.5 kV dielectric test